

Description

The PressureWave™ Series is constructed of a virgin polypropylene liner combined with a FDA approved high grade butyl diaphragm. This is held against the wall of the tank with a steel clench ring. The brass air valve, sealed by a threaded O-ring valve cap prevents air leaks. Water enters the tank through a patented stainless steel water connection. The diaphragm and liner are both reinforced in specific wear areas for longer life. All internal parts including the air valve are rounded to prevent piercing of the diaphragm in extreme conditions.

The water connection uniquely provides a dual water/air seal ensuring a complete leak free and maintenance free Pressure Vessel. On the exterior the almond colored two-part polyurethane paint finish over an epoxy undercoating provides hundreds of hours of UV and salt spray protection. PressureWave™ tanks are quality tested at several stages on the production line to ensure the structural integrity of every tank. PressureWave™ tanks represent value for investment and are the best quality pressure vessels available today.

Design Features

- ▶ Single diaphragm design
- ▶ NSF Standard 61, CE/PED, WRAS, ACS, Evrazes, ISO:9001 & Govt. approved
- ▶ Patented stainless steel water connection
- ▶ Virgin polypropylene liner
- ▶ Two part polyurethane, epoxy primed paint finish
- ▶ Leak free O-ring sealed air valve cap
- ▶ Comprehensive testing
- ▶ Low on maintenance

Applications

PressureWave™ tanks are ideally suited for a wide range of applications including:

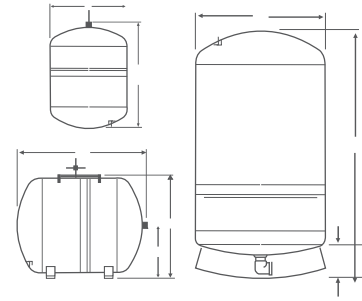
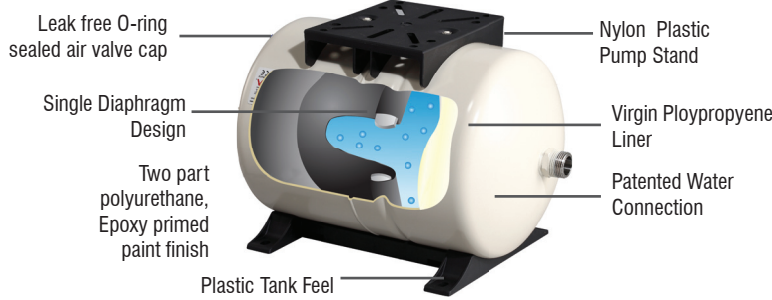
- ▶ Booster systems
- ▶ Thermal expansion
- ▶ Irrigation systems
- ▶ Hydraulic hammer arresting
- ▶ Fire Fighting



ISO:9001 ACS WRAS



Technical Specifications



System Connection	SS 304, 1"
Standard Precharge	28 psi/1.9 bar
Maximum Working Pressure	150 psi/ 10bar
Maximum Working Temperature	194° F/90° C

Product Details

BSP		Nominal Volume		Shipping (Box) Volume		Shipping (Box) Weight		Dimensions					
Old Part Number	New Part Number	liter	gal	m ³	ft ³	kg	lbs	A		B		C	
								cm	inches	cm	inches	cm	Inches
PWB2	PWB -2LX	2.00	0.50	0.06	2.12	13.60	29.98	20.90	8.23	12.60	4.96	-	-
PWB4	PWB -4LX	4.00	1.10	0.01	0.35	1.71	3.77	26.10	10.28	16.20	6.38	-	-
PWB8	PWB -8LX	8.00	2.10	0.01	0.49	2.40	5.29	31.30	33.60	20.20	7.95	-	-
PWB12	PWB -12LX	12.00	3.20	0.02	0.81	3.10	6.83	36.50	14.37	23.00	9.06	-	-
PWB18	PWB -18LX	18.00	4.80	0.03	1.06	4.10	9.04	36.70	14.45	27.90	10.98	-	-
PWB24	PWB -24LX	24.00	6.30	0.04	1.48	5.00	11.00	44.70	17.60	29.00	11.42	-	-
PWB35	PWB -35LX	35.00	9.30	0.06	1.98	7.00	15.43	48.10	18.90	31.80	12.52	-	-
Horizontal Models													
PWB8H	PWB -8LH	8.00	2.10	0.01	0.46	2.46	5.42	31.30	12.32	23.20	9.13	11.60	4.57
PWB12H	PWB -12LH	12.00	3.20	0.02	0.85	3.25	7.17	36.50	14.37	26.00	10.24	13.00	5.12
PWB20H	PWB -20LH	20.00	5.30	0.04	1.41	5.00	11.02	44.70	17.60	29.40	11.57	14.70	5.79
PWB24H	PWB -24LH	24.00	6.30	0.05	1.65	5.90	13.01	44.70	17.60	32.10	12.64	16.10	6.34
PWB35H	PWB -35LH	35.00	9.30	0.06	2.15	8.20	18.08	48.10	18.94	35.30	13.90	17.90	7.05
PWB60H	PWB -60LH	60.00	15.90	0.09	3.18	11.40	25.13	53.00	20.87	42.40	16.69	21.50	8.46
PWB80H	PWB -80LH	80.00	21.10	0.13	4.59	16.10	35.49	72.60	28.58	42.40	16.69	21.50	8.46
PWB100H	PWB -100LH	100.00	26.40	0.16	5.65	19.20	42.33	72.00	28.35	47.50	18.70	24.50	9.65
Vertical Models w/base													
PWB35V	PWB -35LV	35.00	9.30	0.06	2.22	7.80	17.20	55.50	21.85	31.80	12.52	12.00	4.72
PWB60V	PWB -60LV	60.00	15.90	0.10	3.46	11.80	26.01	62.00	24.41	38.90	15.31	12.70	5.00
PWB80V	PWB -80LV	80.00	21.10	0.13	4.59	16.20	35.71	81.50	32.09	38.90	15.31	12.70	5.00
PWB100V	PWB -100LV	100.00	26.40	0.16	5.65	19.10	42.11	80.40	31.65	43.00	16.93	12.90	5.08
PWB150V	PWB -150LV	150.00	40.00	0.21	7.42	26.70	58.86	81.80	32.80	53.00	20.87	13.85	5.45

Marketed by: **AVENTURA COMPONENTS PVT. LTD.**



A-1/152, Neb Sarai, IGNOU Road, New Delhi - 110 068, INDIA
 T: +91-11-4310 0516 | F: +91-11-4310 0599 | M: +91-97176 90522
 E: marketing@aventura.co.in | W: www.aventura.co.in

Present at: • Ahmedabad • Bengaluru • Chennai • Hyderabad
 • Kolkata • Mumbai • Pune • Jaipur • Lucknow • Nagpur • Coimbatore

CIN: U51505DL1997PTC089785



TOLL FREE: 1800 102 4466

www.yawwafco.com | 06/14

Version: AC01/03/14