

Description

Moving Bed Bio-Reactor (MBBR)/ Fluidized Aerobic Bed Reactor (FAB) is an advanced high rate wastewater treatment process, utilizing free-floating media which houses huge quantity of active biomass (MLSS). Aventura's MBBR/ FAB media provides additional surface area for microbial growth thereby increasing the organic load rate. The media is cylindrical in shape with extended fins and is made of using high quality UV stabilized virgin PP material.

Design Features

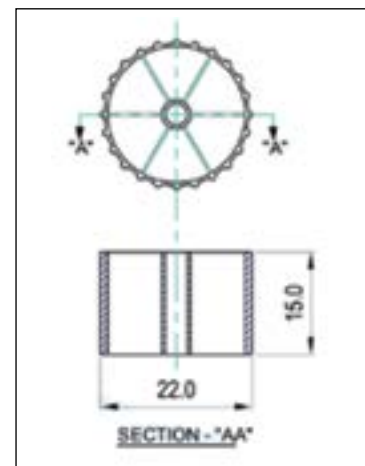
- ▶ Excellent bio-surface area
- ▶ Low density to avoid deep submerge
- ▶ Clog-free operation
- ▶ Extremely robust & reliable
- ▶ Long media service life

Applications

- ▶ Municipal Sewage Treatment
- ▶ Community Sewage Treatment
- ▶ Industrial Effluent Treatment

Technical Specifications

Effective Specific Surface area	400 m ² /m ³
Media Height	15 mm/ 10 mm
Media Diameter	22 mm
Weight per unit surface area	0.37 kg/m ²
Specific Gravity	0.90-0.95 g/cm ³
Voidage	>98%
Density	0.93 g/cm ³
Media fill rate range	25-55% of volume

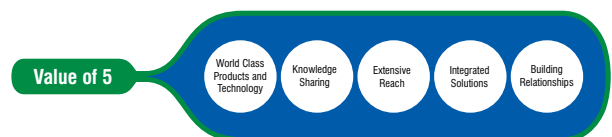


AVENTURA COMPONENTS PVT. LTD.

 AN EARTH WATER ENTERPRISE

A-1/152, Neb Sarai, IGNOU Road, New Delhi - 110 068, INDIA
 T: +91-11-4310 0516/522 | F: +91-11-4310 0599 | M: +91-97176 90522
 E: marketing@aventura.co.in | W: www.aventura.co.in

Present at: • Ahmedabad • Bengaluru • Chennai • Hyderabad
 • Kolkata • Mumbai • Pune • Jaipur • Lucknow • Nagpur • Coimbatore
 CIN: U51505DL1997PTC089785



TOLL FREE: 1800 102 4466

Version: AC02/09/13